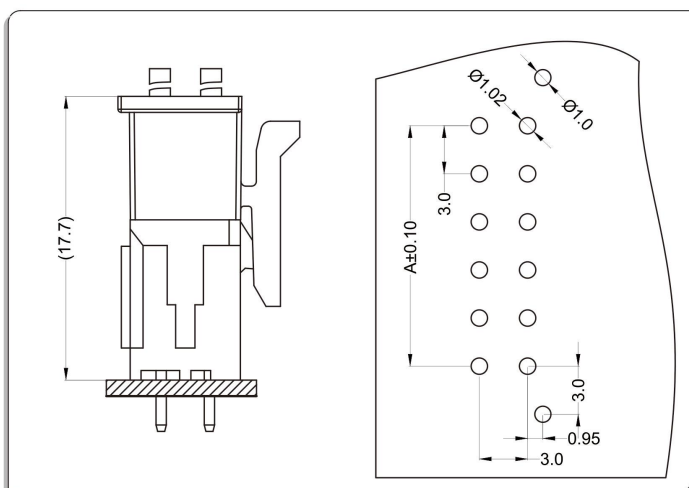


技术参数 SPECIFICATIONS

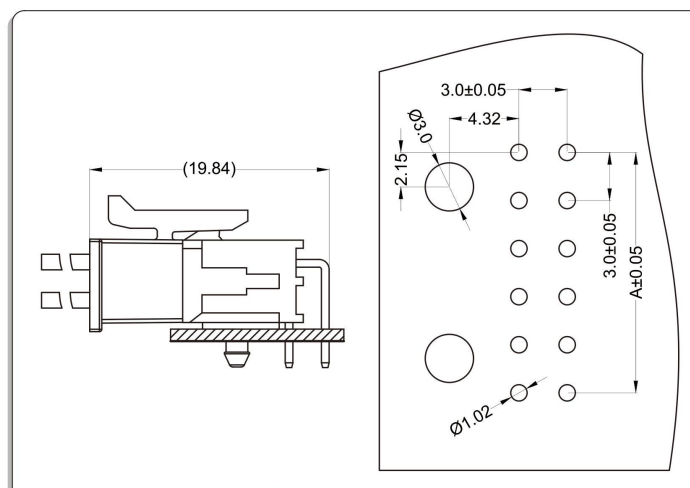
- 1、极数CKT: 2*1Pin to 2*12Pin
- 2、额定电流Current rating: 5A AC/DC
- 3、额定电压Voltage rating(max): 250V, AC/DC
- 4、工作温度Working Temperature: $-25^{\circ}\text{C} \sim +85^{\circ}\text{C}$,
(含通电温度上升值)
(Including temperature rise in applying electrical current)
- 5、接触电阻Contact resistance: 初始Initial value $\leq 20\text{m}\Omega$
环境测试后After environmental testing $\leq 30\text{m}\Omega$
- 6、绝缘电阻Insulation resistance: $\geq 1000\text{M}\Omega$
- 7、耐电压Withstand voltage: 1500VAC(rms)
- 8、适用线规 Applicable wire: AWG #24 to #20
- 9、适用基板厚度Applicable PCB board thickness: 1.6mm to 2.0mm

安装尺寸 Mounting Measurement

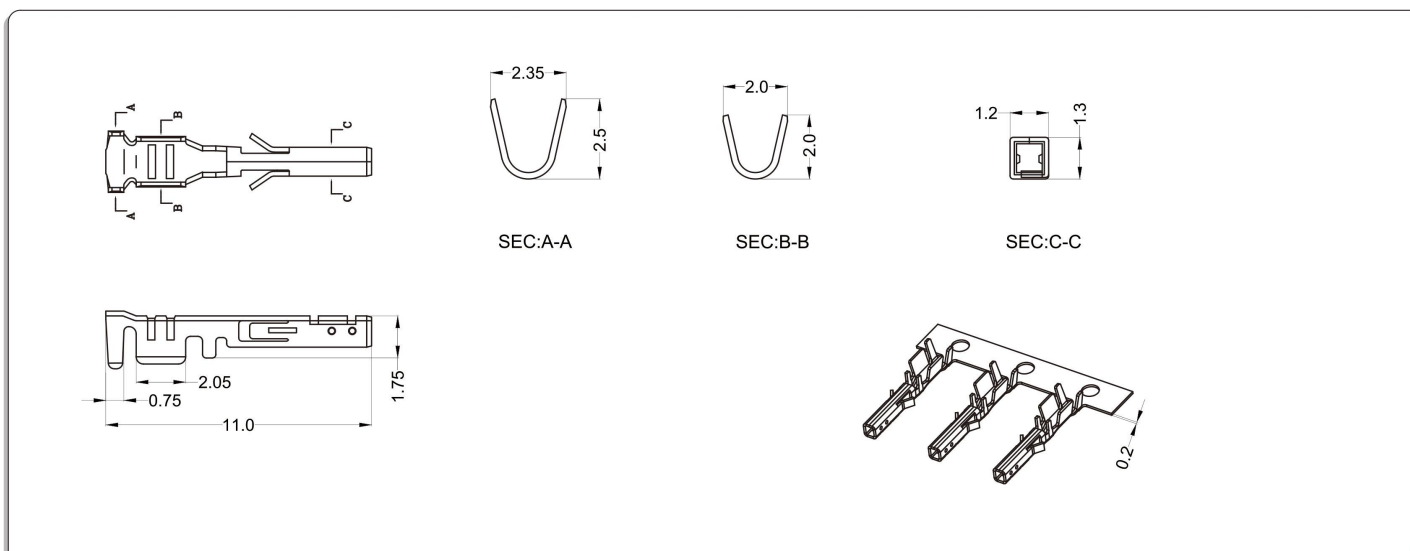
立式 Straight Angle



卧式 Right Angle



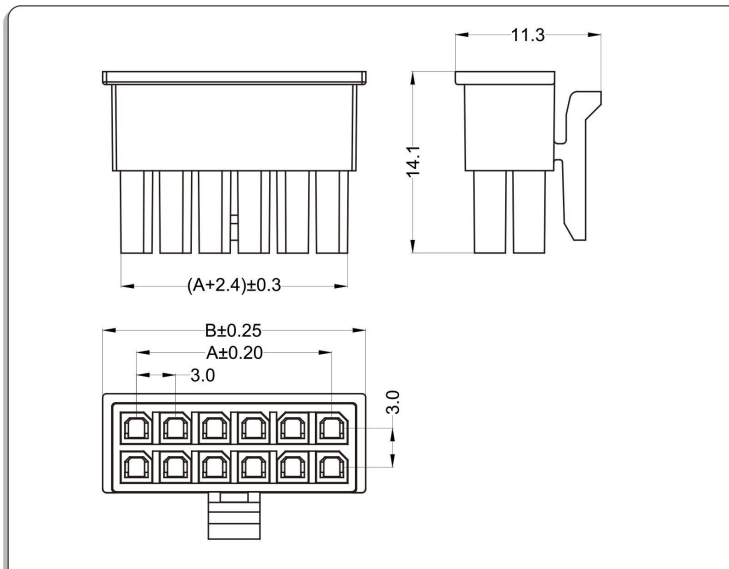
端子 Terminal: T=0.2mm



| Part No. | Wire Range | Insulation O.D | Material | Finish |
|------------|------------|----------------|-----------------|-------------------|
| WB43025—T0 | AWG#20~#24 | 1.90mm MAX | phosphor bronze | Tin & Gold-plated |

公头胶壳 Housing

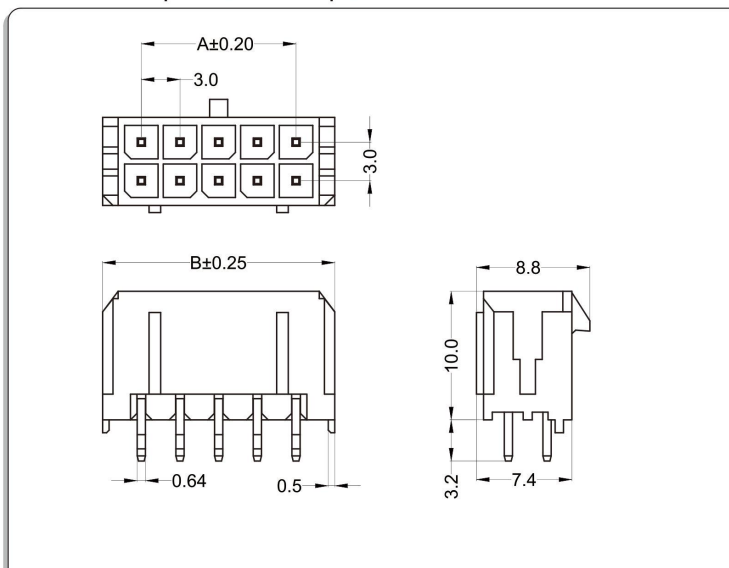
材料Material: Nylon 66 UL94V-0



| CKT | Part No | DIM A | DIM B |
|------|------------|-------|-------|
| 2*1 | WB43025-02 | | 5.20 |
| 2*2 | WB43025-04 | 3.00 | 8.20 |
| 2*3 | WB43025-06 | 6.00 | 11.20 |
| 2*4 | WB43025-08 | 9.00 | 14.20 |
| 2*5 | WB43025-10 | 12.00 | 17.20 |
| 2*6 | WB43025-12 | 15.00 | 20.20 |
| 2*7 | WB43025-14 | 18.00 | 23.20 |
| 2*8 | WB43025-16 | 21.00 | 26.20 |
| 2*9 | WB43025-18 | 24.00 | 29.20 |
| 2*10 | WB43025-20 | 27.00 | 32.20 |
| 2*11 | WB43025-22 | 30.00 | 35.20 |
| 2*12 | WB43025-24 | 33.00 | 38.20 |

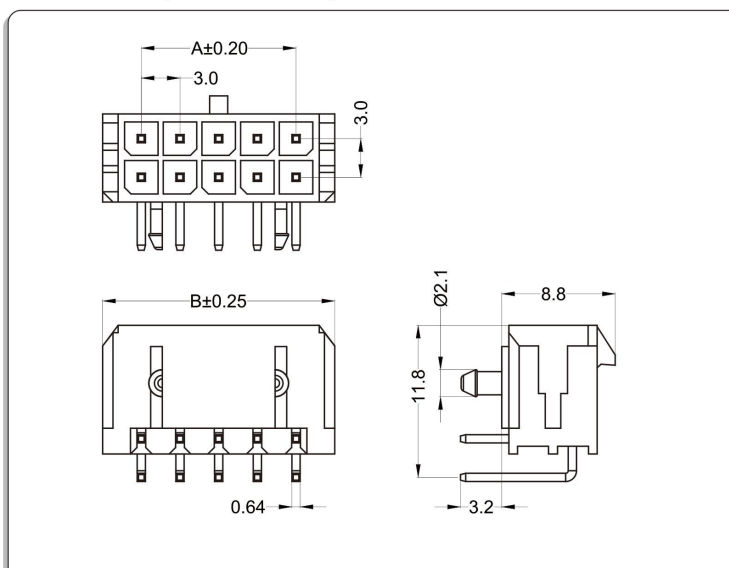
针座 Wafer

材料与表面处理 Material and Finish:
Housing:Nylon 66 UL94V-0 & Terminal:Brass
Finish: Tin-plated & Gold-plated

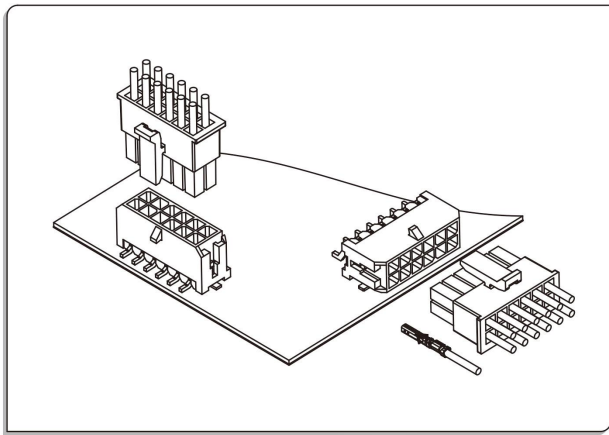


| CKT | Part No | DIM A | DIM B |
|------|------------|-------|-------|
| 2*1 | WB5557L-02 | | 6.00 |
| 2*2 | WB5557L-04 | 3.00 | 9.00 |
| 2*3 | WB5557L-06 | 6.00 | 12.00 |
| 2*4 | WB5557L-08 | 9.00 | 15.00 |
| 2*5 | WB5557L-10 | 12.00 | 18.00 |
| 2*6 | WB5557L-12 | 15.00 | 21.00 |
| 2*7 | WB5557L-14 | 18.00 | 24.00 |
| 2*8 | WB5557L-16 | 21.00 | 27.00 |
| 2*9 | WB5557L-18 | 24.00 | 30.00 |
| 2*10 | WB5557L-20 | 27.00 | 33.00 |
| 2*11 | WB5557L-22 | 30.00 | 36.00 |
| 2*12 | WB5557L-24 | 33.00 | 39.00 |

材料与表面处理 Material and Finish:
Housing:Nylon 66 UL94V-0 & Terminal:Brass
Finish: Tin-plated & Gold-plated



| CKT | Part No | DIM A | DIM B |
|------|------------|-------|-------|
| 2*1 | WB5557W-02 | | 6.00 |
| 2*2 | WB5557W-04 | 3.00 | 9.00 |
| 2*3 | WB5557W-06 | 6.00 | 12.00 |
| 2*4 | WB5557W-08 | 9.00 | 15.00 |
| 2*5 | WB5557W-10 | 12.00 | 18.00 |
| 2*6 | WB5557W-12 | 15.00 | 21.00 |
| 2*7 | WB5557W-14 | 18.00 | 24.00 |
| 2*8 | WB5557W-16 | 21.00 | 27.00 |
| 2*9 | WB5557W-18 | 24.00 | 30.00 |
| 2*10 | WB5557W-20 | 27.00 | 33.00 |
| 2*11 | WB5557W-22 | 30.00 | 36.00 |
| 2*12 | WB5557W-24 | 33.00 | 39.00 |

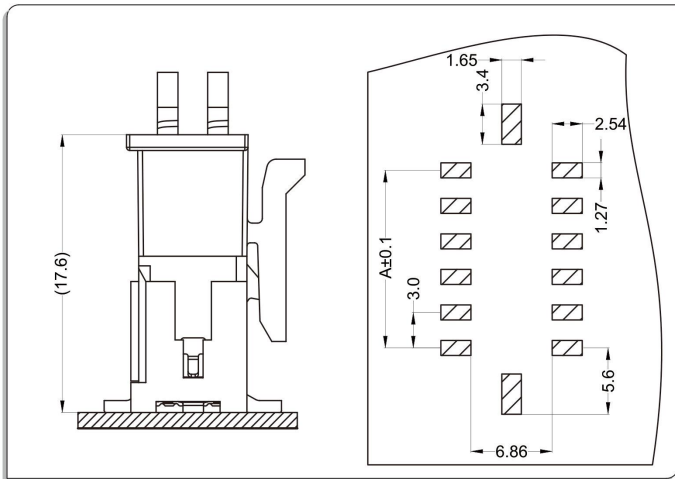


技术参数 SPECIFICATIONS

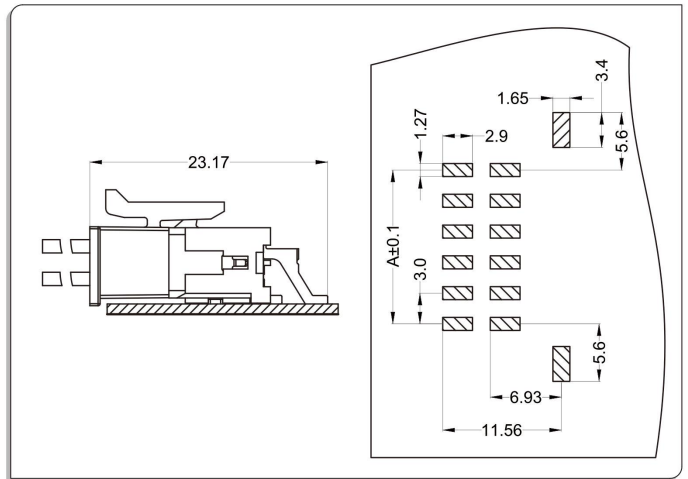
- 1、极数CKT: 2*1Pin to 2*12Pin
- 2、额定电流Current rating: 5A AC/DC
- 3、额定电压Voltage rating(max): 250V, AC/DC
- 4、工作温度Working Temperature: -25°C~+85°C, (含通电温度上升值)
(Including temperature rise in applying electrical current)
- 5、接触电阻Contact resistance: 初始Initial value $\leq 20\text{m}\Omega$
环境测试后After environmental testing $\leq 30\text{m}\Omega$
- 6、绝缘电阻Insulation resistance: $\geq 1000\text{M}\Omega$
- 7、耐电压Withstand voltage: 1500VAC(rms)
- 8、适用线规 Applicable wire: AWG #24 to #20
- 9、适用基板厚度Applicable PCB board thickness: 1.6mm to 2.0mm

安装尺寸 Mounting Measurement

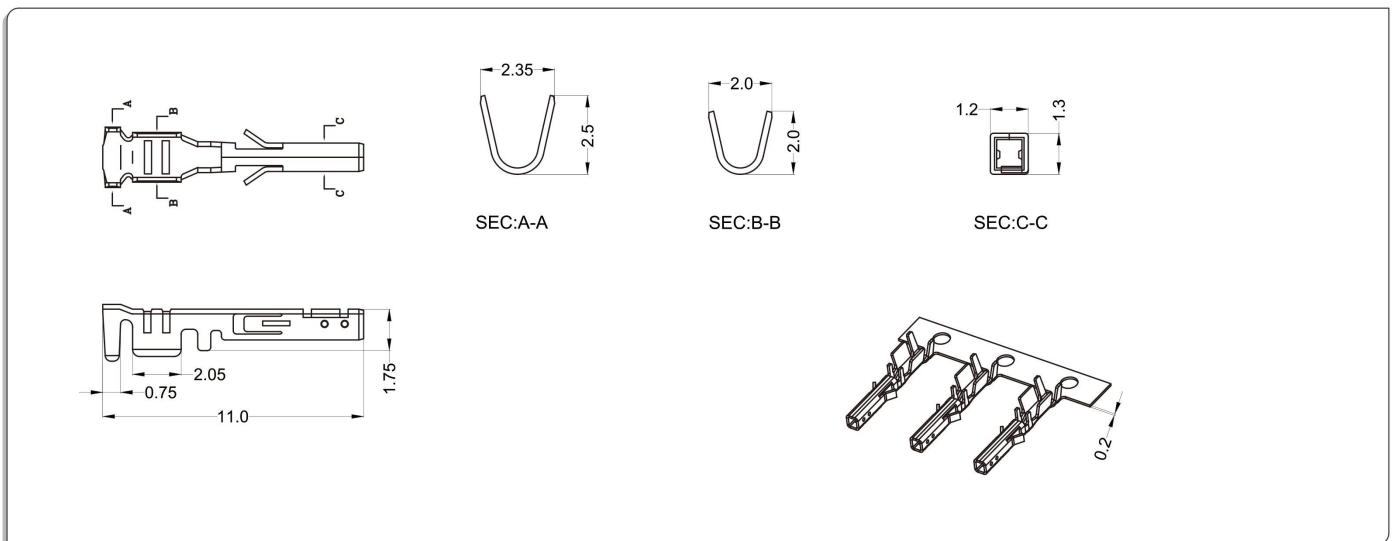
立式 Straight Angle



卧式 Right Angle



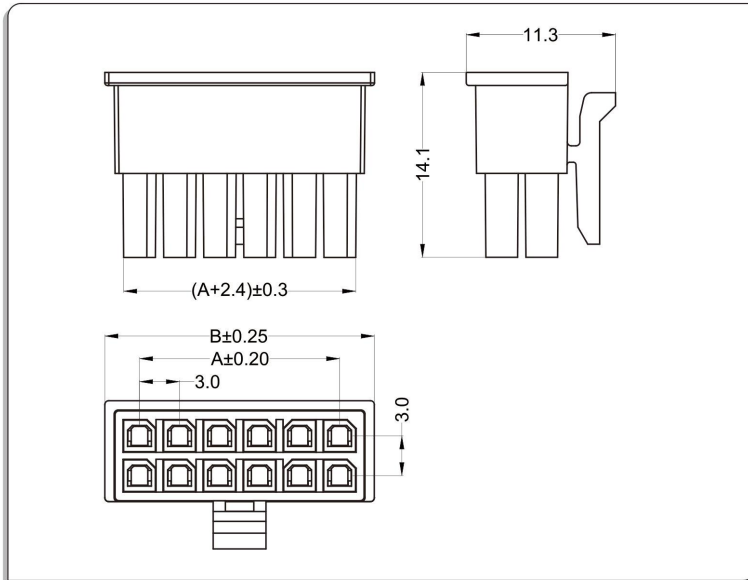
端子 Terminal: T=0.2mm



| Part No. | Wire Range | Insulation O.D | Material | Finish |
|------------|------------|----------------|-----------------|-------------------|
| WB43025—T0 | AWG#20~#24 | 1.90mm MAX | phosphor bronze | Tin & Gold-plated |

公头胶壳 Housing

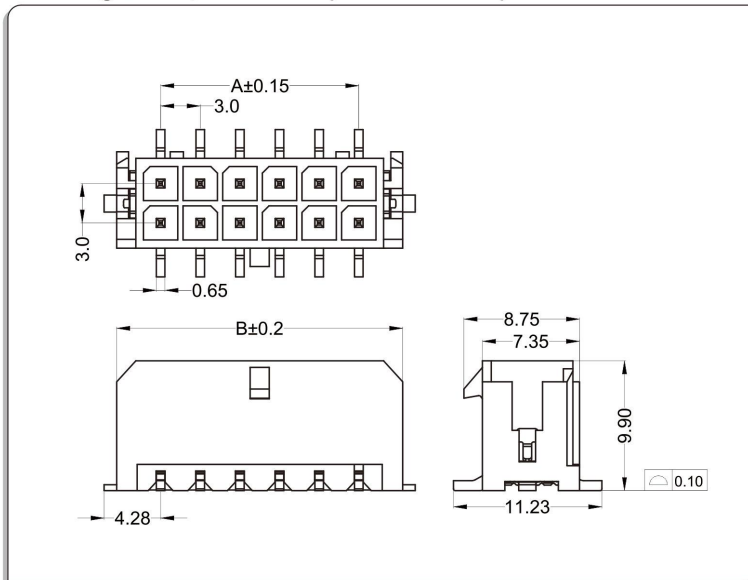
材料Material: Nylon 66 UL94V-0



| CKT | Part No | DIM A | DIM B |
|------|------------|-------|-------|
| 2*1 | WB43025-02 | | 5.20 |
| 2*2 | WB43025-04 | 3.00 | 8.20 |
| 2*3 | WB43025-06 | 6.00 | 11.20 |
| 2*4 | WB43025-08 | 9.00 | 14.20 |
| 2*5 | WB43025-10 | 12.00 | 17.20 |
| 2*6 | WB43025-12 | 15.00 | 20.20 |
| 2*7 | WB43025-14 | 18.00 | 23.20 |
| 2*8 | WB43025-16 | 21.00 | 26.20 |
| 2*9 | WB43025-18 | 24.00 | 29.20 |
| 2*10 | WB43025-20 | 27.00 | 32.20 |
| 2*11 | WB43025-22 | 30.00 | 35.20 |
| 2*12 | WB43025-24 | 33.00 | 38.20 |

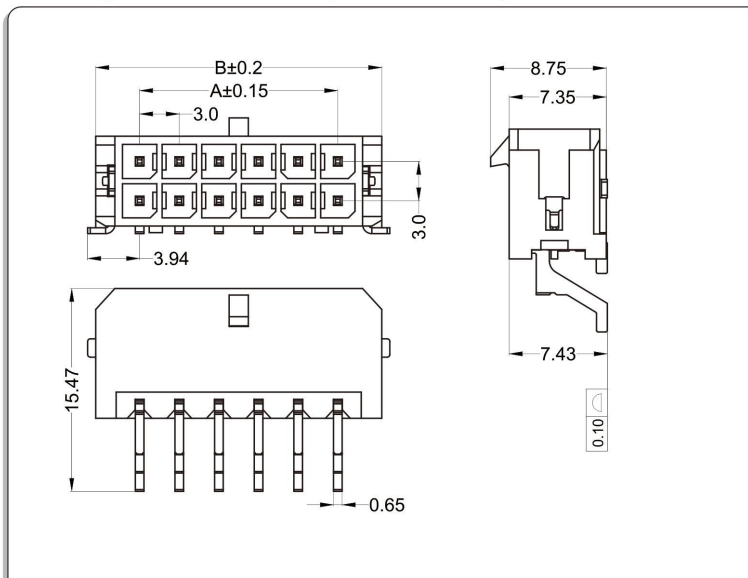
针座 Wafer

材料与表面处理 Material and Finish:
Housing:LCP UL94V-0 & Terminal:Brass &
Fitting:Brass; Finish:Tin-plated & Gold-plated

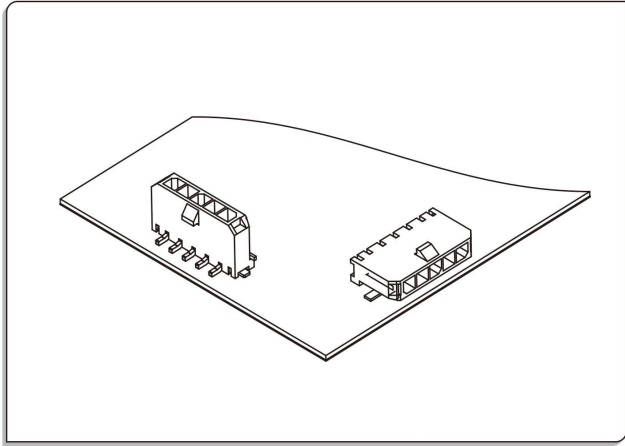


| CKT | Part No | DIM A | DIM B |
|------|------------|-------|-------|
| 2*1 | WB5557L-02 | | 6.65 |
| 2*2 | WB5557L-04 | 3.00 | 9.65 |
| 2*3 | WB5557L-06 | 6.00 | 12.65 |
| 2*4 | WB5557L-08 | 9.00 | 15.65 |
| 2*5 | WB5557L-10 | 12.00 | 18.65 |
| 2*6 | WB5557L-12 | 15.00 | 21.65 |
| 2*7 | WB5557L-14 | 18.00 | 24.65 |
| 2*8 | WB5557L-16 | 21.00 | 27.65 |
| 2*9 | WB5557L-18 | 24.00 | 30.65 |
| 2*10 | WB5557L-20 | 27.00 | 33.65 |
| 2*11 | WB5557L-22 | 30.00 | 36.65 |
| 2*12 | WB5557L-24 | 33.00 | 39.65 |

材料与表面处理 Material and Finish:
Housing:LCP UL94V-0 & Terminal:Brass &
Fitting:Brass; Finish:Tin-plated & Gold-plated



| CKT | Part No | DIM A | DIM B |
|------|------------|-------|-------|
| 2*1 | WB5557W-02 | | 6.65 |
| 2*2 | WB5557W-04 | 3.00 | 9.65 |
| 2*3 | WB5557W-06 | 6.00 | 12.65 |
| 2*4 | WB5557W-08 | 9.00 | 15.65 |
| 2*5 | WB5557W-10 | 12.00 | 18.65 |
| 2*6 | WB5557W-12 | 15.00 | 21.65 |
| 2*7 | WB5557W-14 | 18.00 | 24.65 |
| 2*8 | WB5557W-16 | 21.00 | 27.65 |
| 2*9 | WB5557W-18 | 24.00 | 30.65 |
| 2*10 | WB5557W-20 | 27.00 | 33.65 |
| 2*11 | WB5557W-22 | 30.00 | 36.65 |
| 2*12 | WB5557W-24 | 33.00 | 39.65 |

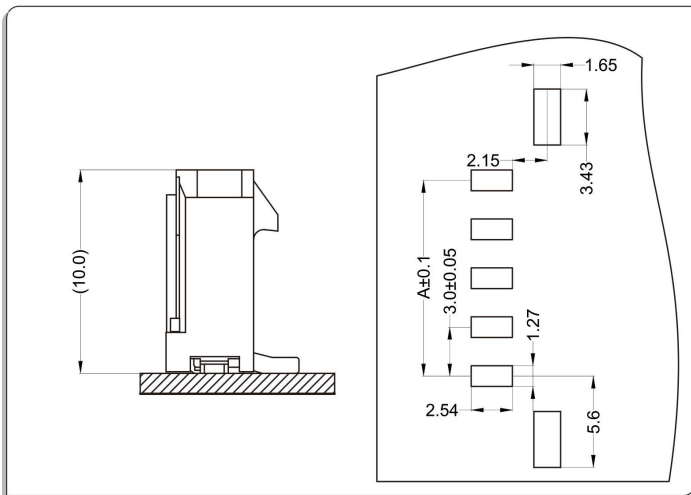


技术参数 SPECIFICATIONS

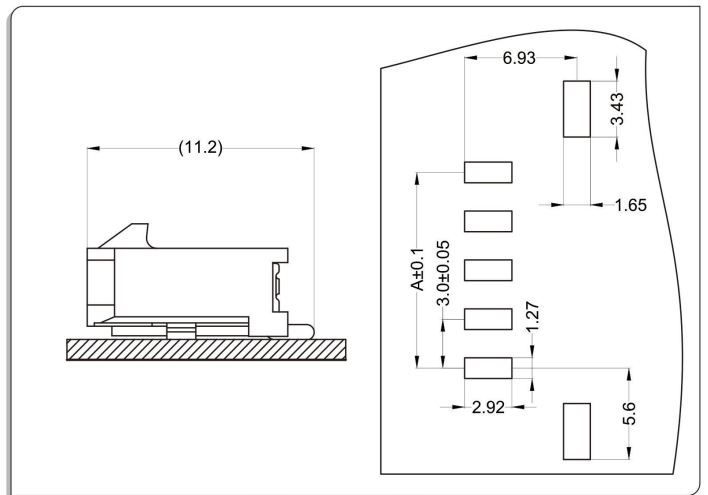
- 1、极数CKT: 2Pin to 12Pin
- 2、额定电流Current rating: 5A AC/DC
- 3、额定电压Voltage rating(max): 250V, AC/DC
- 4、工作温度Working Temperature: $-25^{\circ}\text{C}\sim+85^{\circ}\text{C}$,
(含通电温度上升值)
(Including temperature rise in applying electrical current)
- 5、接触电阻Contact resistance: 初始Initial value $\leq 20\text{m}\Omega$
环境测试后After environmental testing $\leq 30\text{m}\Omega$
- 6、绝缘电阻Insulation resistance: $\geq 1000\text{M}\Omega$
- 7、耐电压Withstand voltage: 1500VAC(rms)
- 8、适用线规 Applicable wire: AWG #24 to #20
- 9、适用基板厚度Applicable PCB board thickness: 1.6mm to 2.0mm

安装尺寸 Mounting Measurement

立式 Straight Angle

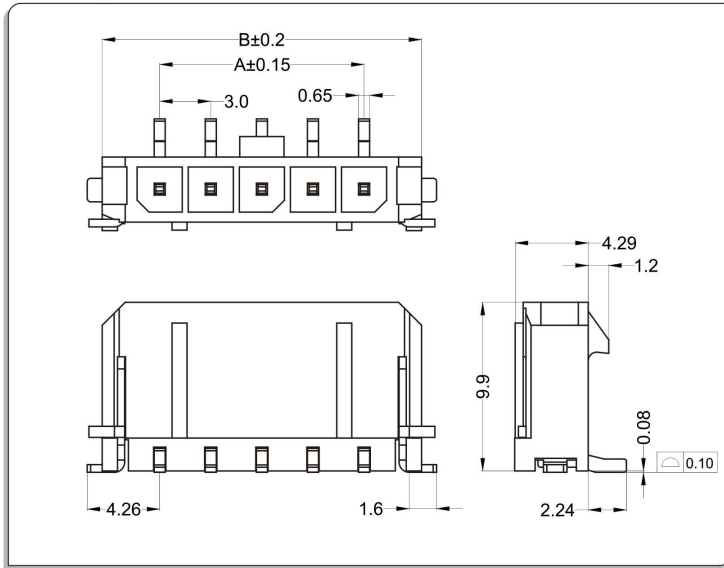


卧式 Right Angle



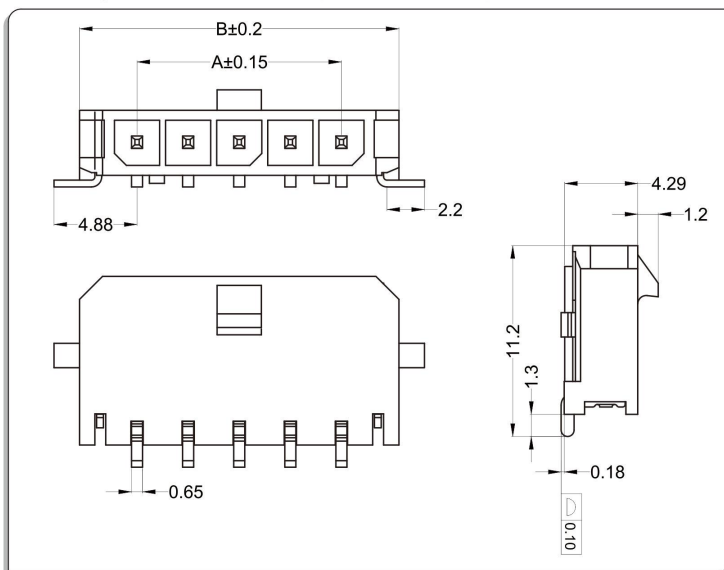
针座 Wafer

- 材料与表面处理 Material and Finish:
Housing:LCP UL94V-0 & Terminal:Brass &
Fitting:Brass; Finish:Tin-plated & Gold-plated

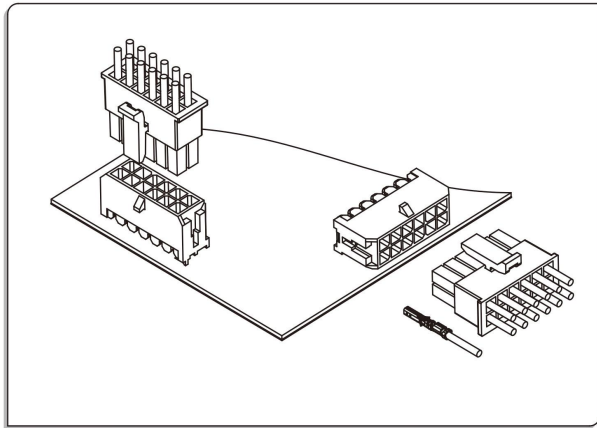


| CKT | Part No | DIM A | DIM B |
|-----|------------|-------|-------|
| 2 | WT5557L-02 | 3.00 | 9.75 |
| 3 | WT5557L-03 | 6.00 | 12.75 |
| 4 | WT5557L-04 | 9.00 | 15.75 |
| 5 | WT5557L-05 | 12.00 | 18.75 |
| 6 | WT5557L-06 | 15.00 | 21.75 |
| 7 | WT5557L-07 | 18.00 | 24.75 |
| 8 | WT5557L-08 | 21.00 | 27.75 |
| 9 | WT5557L-09 | 24.00 | 30.75 |
| 10 | WT5557L-10 | 27.00 | 33.75 |
| 11 | WT5557L-11 | 30.00 | 36.75 |
| 12 | WT5557L-12 | 33.00 | 39.75 |

- 材料与表面处理 Material and Finish:
Housing:LCP UL94V-0 & Terminal:Brass &
Fitting:Brass; Finish:Tin-plated & Gold-plated



| CKT | Part No | DIM A | DIM B |
|-----|------------|-------|-------|
| 2 | WT5557W-02 | 3.00 | 9.75 |
| 3 | WT5557W-03 | 6.00 | 12.75 |
| 4 | WT5557W-04 | 9.00 | 15.75 |
| 5 | WT5557W-05 | 12.00 | 18.75 |
| 6 | WT5557W-06 | 15.00 | 21.75 |
| 7 | WT5557W-07 | 18.00 | 24.75 |
| 8 | WT5557W-08 | 21.00 | 27.75 |
| 9 | WT5557W-09 | 24.00 | 30.75 |
| 10 | WT5557W-10 | 27.00 | 33.75 |
| 11 | WT5557W-11 | 30.00 | 36.75 |
| 12 | WT5557W-12 | 33.00 | 39.75 |

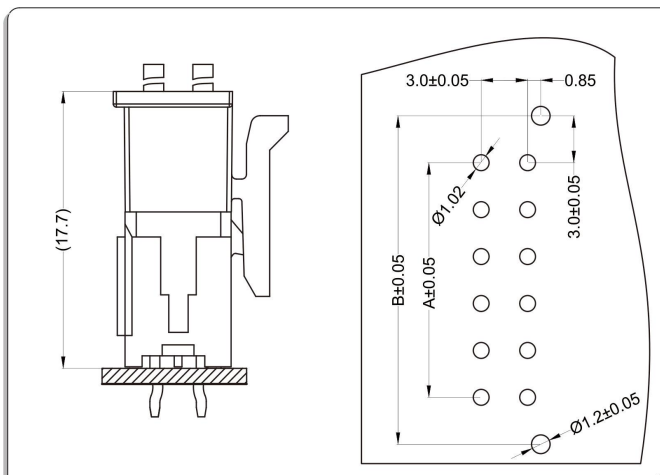


技术参数 SPECIFICATIONS

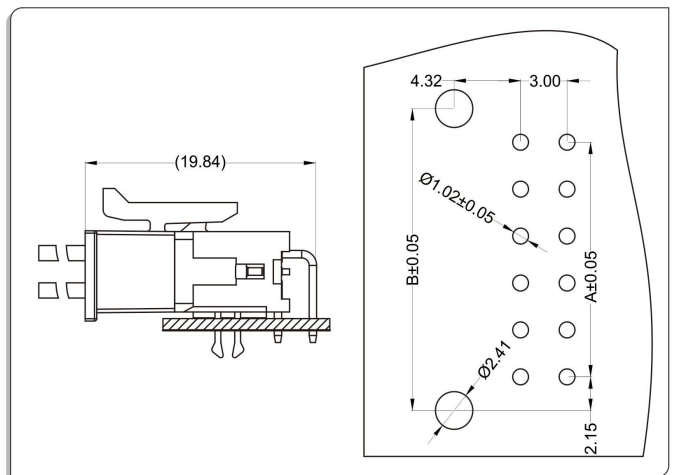
- 1、极数CKT: 2*1Pin to 2*12Pin
- 2、额定电流Current rating: 12.5A AC/DC
- 3、额定电压Voltage rating(max): 250V, AC/DC
- 4、工作温度Working Temperature: $-25^{\circ}\text{C}\sim+85^{\circ}\text{C}$,
(含通电温度上升值)
(Including temperature rise in applying electrical current)
- 5、接触电阻Contact resistance: 初始Initial value $\leq 20\text{m}\Omega$
环境测试后After environmental testing $\leq 30\text{m}\Omega$
- 6、绝缘电阻Insulation resistance: $\geq 1000\text{M}\Omega$
- 7、耐电压Withstand voltage: 1500VAC(rms)
- 8、适用线规 Applicable wire: AWG #24 to #20
- 9、适用基板厚度Applicable PCB board thickness: 1.6mm to 2.0mm

安装尺寸 Mounting Measurement

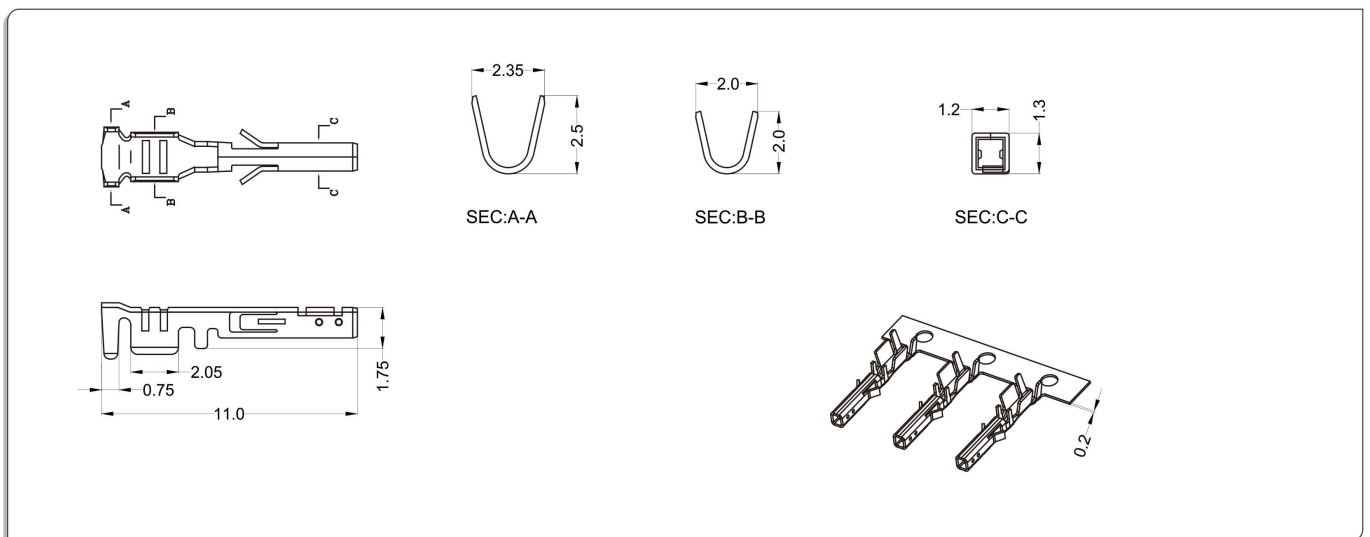
立式 Straight Angle



卧式 Right Angle



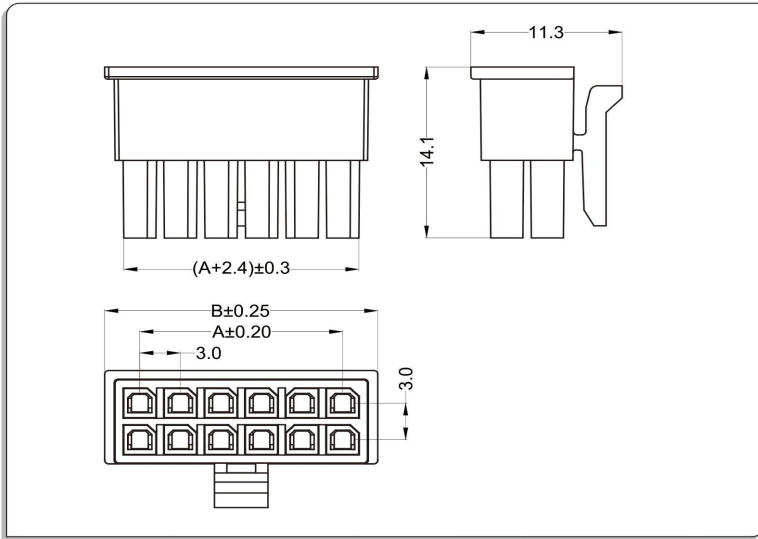
端子 Terminal: T=0.2mm



| Part No. | Wire Range | Insulation O.D | Material | Finish |
|------------|------------|----------------|-----------------|-------------------|
| WB43025—T0 | AWG#20~#24 | 1.90mm MAX | phosphor bronze | Tin & Gold-plated |

公头胶壳 Housing

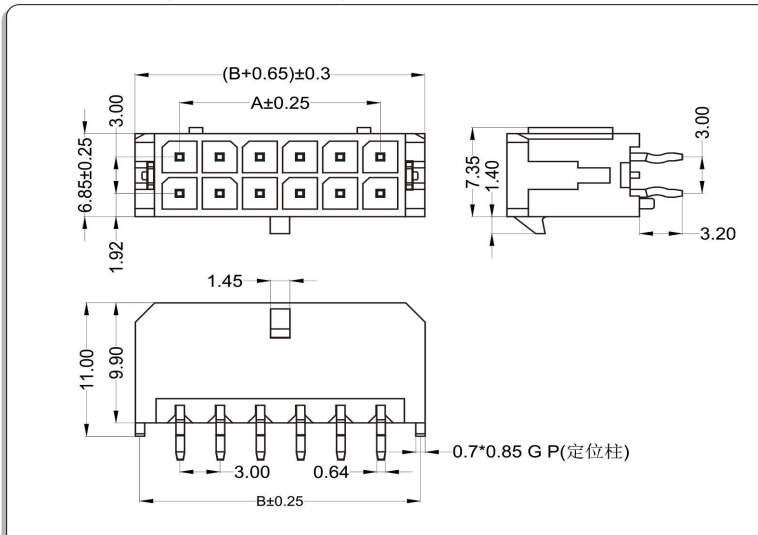
材料Material: Nylon 66 UL94V-0



| CKT | Part No | DIM A | DIM B |
|------|------------|-------|-------|
| 2*1 | WB43025-02 | | 5.20 |
| 2*2 | WB43025-04 | 3.00 | 8.20 |
| 2*3 | WB43025-06 | 6.00 | 11.20 |
| 2*4 | WB43025-08 | 9.00 | 14.20 |
| 2*5 | WB43025-10 | 12.00 | 17.20 |
| 2*6 | WB43025-12 | 15.00 | 20.20 |
| 2*7 | WB43025-14 | 18.00 | 23.20 |
| 2*8 | WB43025-16 | 21.00 | 26.20 |
| 2*9 | WB43025-18 | 24.00 | 29.20 |
| 2*10 | WB43025-20 | 27.00 | 32.20 |
| 2*11 | WB43025-22 | 30.00 | 35.20 |
| 2*12 | WB43025-24 | 33.00 | 38.20 |

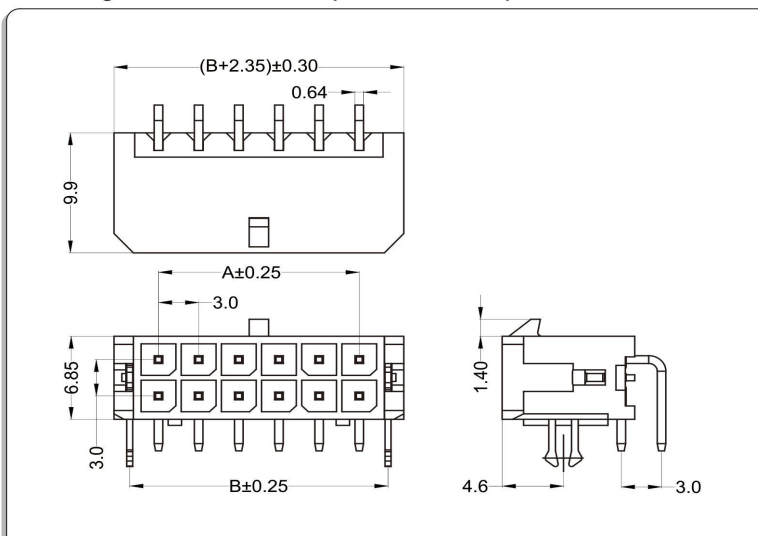
针座 Wafer

材料与表面处理 Material and Finish:
Housing:LCP UL94V-0 & Terminal:Red Copper
Finish:Tin-plated & Gold-plated



| CKT | Part No | DIM A | DIM B |
|------|------------|-------|-------|
| 2*1 | WB5557L-02 | | 6.00 |
| 2*2 | WB5557L-04 | 3.00 | 9.00 |
| 2*3 | WB5557L-06 | 6.00 | 12.00 |
| 2*4 | WB5557L-08 | 9.00 | 15.00 |
| 2*5 | WB5557L-10 | 12.00 | 18.00 |
| 2*6 | WB5557L-12 | 15.00 | 21.00 |
| 2*7 | WB5557L-14 | 18.00 | 24.00 |
| 2*8 | WB5557L-16 | 21.00 | 27.00 |
| 2*9 | WB5557L-18 | 24.00 | 30.00 |
| 2*10 | WB5557L-20 | 27.00 | 33.00 |
| 2*11 | WB5557L-22 | 30.00 | 36.00 |
| 2*12 | WB5557L-24 | 33.00 | 39.00 |

材料与表面处理 Material and Finish:
Housing:LCP UL94V-0 & Terminal:Red Copper
Fitting:Brass; Finish:Tin-plated & Gold-plated



| CKT | Part No | DIM A | DIM B |
|------|------------|-------|-------|
| 2*1 | WB5557W-02 | | 4.30 |
| 2*2 | WB5557W-04 | 3.00 | 7.30 |
| 2*3 | WB5557W-06 | 6.00 | 10.30 |
| 2*4 | WB5557W-08 | 9.00 | 13.30 |
| 2*5 | WB5557W-10 | 12.00 | 16.30 |
| 2*6 | WB5557W-12 | 15.00 | 19.30 |
| 2*7 | WB5557W-14 | 18.00 | 22.30 |
| 2*8 | WB5557W-16 | 21.00 | 25.30 |
| 2*9 | WB5557W-18 | 24.00 | 28.30 |
| 2*10 | WB5557W-20 | 27.00 | 31.30 |
| 2*11 | WB5557W-22 | 30.00 | 34.30 |
| 2*12 | WB5557W-24 | 33.00 | 37.30 |